

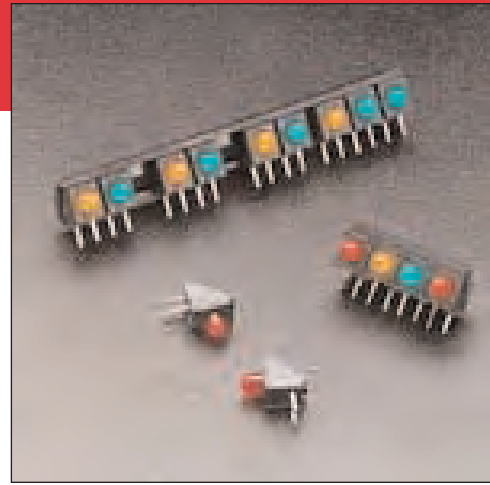
T1 Right Angle LED Bar

.122" High LED Centerline* - RoHS Compliant

*Patented

Special Features

- Customized to your specifications without tooling charges
Variable LED spacing, minimum .180", maximum bar length 6"
Variable color sequence
- Available with 2 to 33 T1 LEDs in one convenient assembly
- Bar provides consistent alignment for multiple LED mounting
- Available with a variety of LEDs
- Bottom standoff facilitates board washing
- Wave solderable and chemically cleanable
- Housing and bar material UL 94V-0 rated

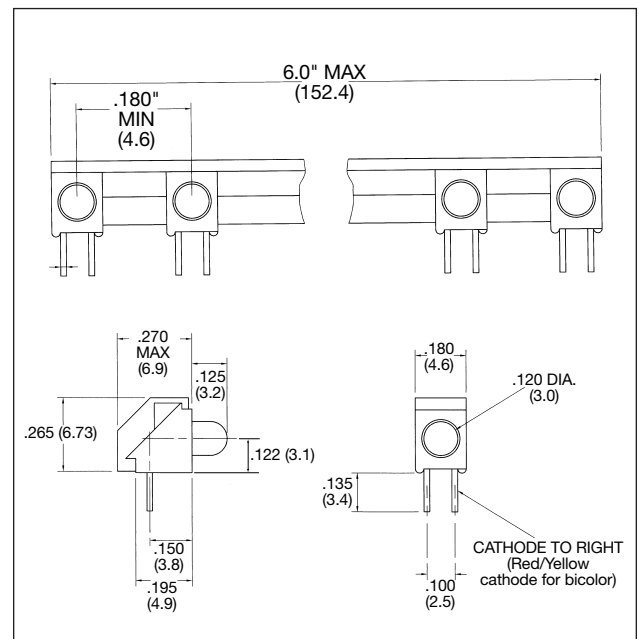


3mm PC Board Mount LEDs

Electrical and Optical Characteristics (T_A=25°C)

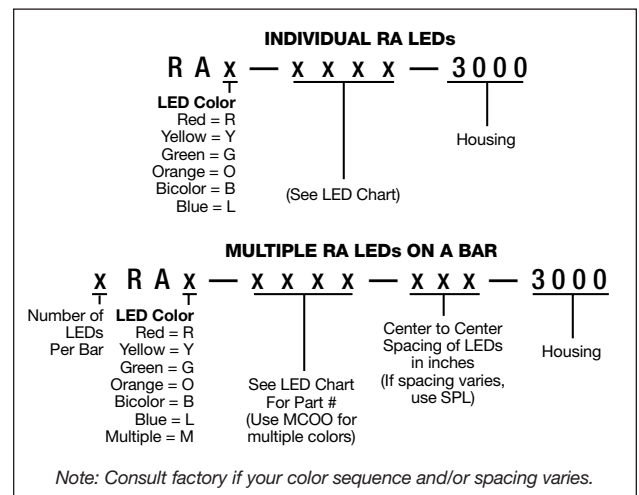
LED Part#	Color	Luminous Intensity (mcd) Typ.@I _F (mA)		V _F Typ.@I _F (mA)		Viewing Angle 2θ ½	Peak Wavelength (nm)	More LED Data Page#
HIGH EFFICIENCY								
1300	Yellow	6.0	10	2.0	10	60°	583	21
1301	Red	5.5	10	1.9	10	60°	635	21
1302	Green	5.0	10	2.1	10	60°	565	21
1313	Orange	5.5	10	1.9	10	60°	600	21
LOW CURRENT								
1303	Red	2.1	2	1.8	2	50°	635	22
1304	Yellow	1.6	2	1.9	2	50°	583	22
1305	Green	2.1	2	1.8	2	50°	565	22
5V INTERNAL RESISTOR								
1307	Red	8.0	10	5.0	10	60°	635	23
1308	Yellow	8.0	10	5.0	10	60°	583	23
1309	Green	8.0	10	5.0	10	60°	565	23
BLUE								
8310	Blue	25.0	20	4.5	20	60°	430	30
8311	Blue	55.0	20	4.5	20	20°	430	30
BICOLOR								
8901	Red	20.0	20	2.0	20	60°	625	27
	Green	20.0	20	2.2	20		565	
8903	Yellow	10.0	20	2.1	20	60°	590	27
	Green	20.0	20	2.2	20		565	
ULTRA BRIGHT								
1310	Red	45.0	20	1.9	20	45°	635	21
1311	Yellow	45.0	20	2.1	20	45°	583	21
1312	Green	45.0	20	2.2	20	45°	565	21
1315	Red	45.0	20	1.8	20	60°	645	21
SUPER ULTRA BRIGHT								
8306	Green	200.0	20	2.2	20	50°	565	29
8312	Yellow	700.0	20	2.0	20	50°	595	29
8313	Red	800.0	20	1.85	20	50°	660	29

Package Dimensions



All Dimensions are in inches (mm)
Standard Polarity shown in drawing: Cathode right

How To Order



WILBRECHT
ELECTRONICS, INC.

LED
CO
DIVISION