

# BN/BT Series T1 3/4 Right Angle LED Bar\* - RoHS Compliant

\*Patented

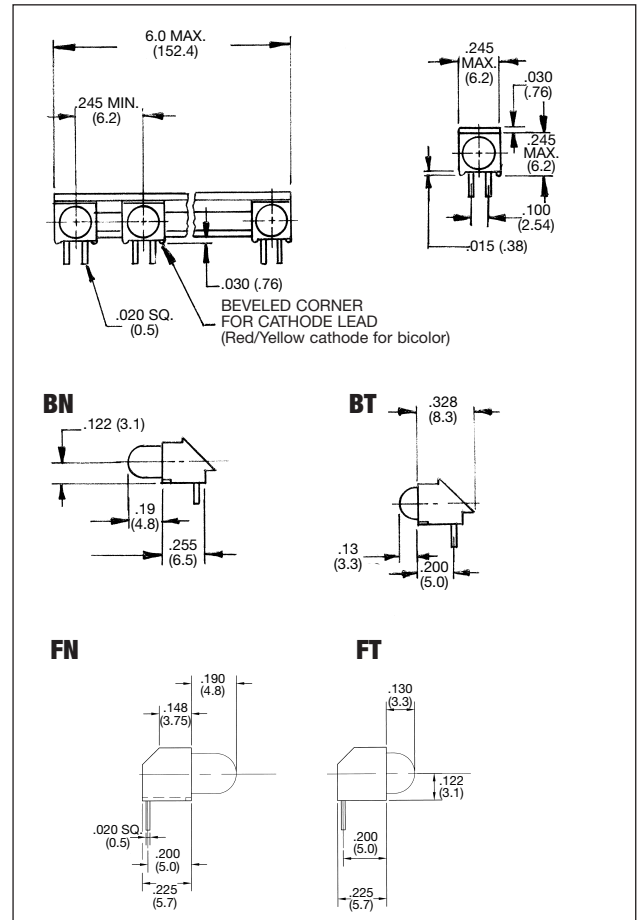
## Special Features

- Customized to your specifications without tooling charges
  - Variable LED spacing, minimum .245" maximum bar length 6"
  - Variable color sequence
- Available with 2 to 24 T1 3/4 LEDs in one convenient assembly
- Available with a variety of LEDs
- Bar provides consistent LED alignment for multiple LED mounting
- Available in two LED configurations—direct cross to industry standard 5mm right angle LED.
- Wave solderable and chemically cleanable
- Housing and bar material UL 94V-0 rated



5mm PC Board Mount LEDs

## Package Dimensions

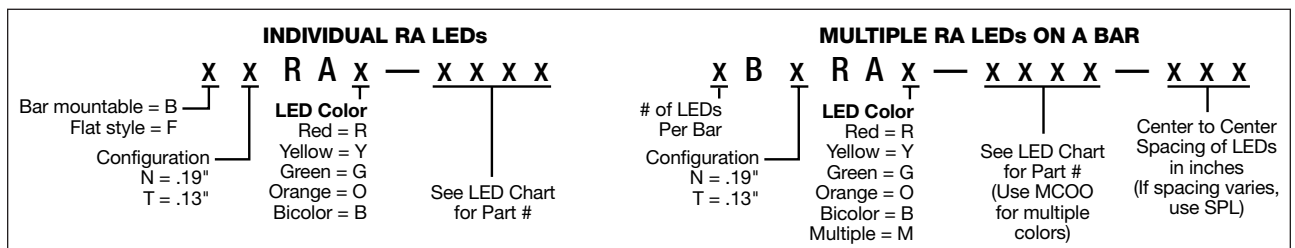


All Dimensions are in inches (mm)

## Electrical and Optical Characteristics (T<sub>A</sub>=25°C)

LED Part#	Color	Luminous Intensity (mcd) Typ.@I <sub>F</sub> (mA)		V <sub>F</sub> Typ.@I <sub>F</sub> (mA)		Viewing Angle 2θ 1/2	Peak Wavelength (nm)	More LED Data Page#
<b>HIGH EFFICIENCY</b>								
9102	Red	5.6	10	2.0	20	60°	635	24
9103	Green	5.6	10	2.2	20	60°	565	24
9104	Yellow	5.6	10	2.1	20	60°	585	24
9105	Orange	5.6	10	2.0	20	60°	630	24
<b>LOW CURRENT</b>								
9121	Red	2.5	2	1.7	2	60°	625	25
9122	Yellow	1.6	2	1.9	2	60°	590	25
9123	Green	1.6	2	1.8	2	60°	565	25
<b>5V INTERNAL RESISTOR</b>								
9124	Red	16.0	12	5.0	12	60°	625	26
9126	Green	16.0	12	5.0	12	60°	565	26
9125	Yellow	16.0	12	5.0	12	60°	590	26
<b>BICOLOR</b>								
9109	Red	38.0	20	2.0	20	60°	660	27
	Green	13.0	20	2.2	20		565	
9128	Yellow	10.0	20	2.1	20	60°	590	27
	Green	20.0	20	2.2	20		565	
<b>ULTRA BRIGHT</b>								
9129	Red	80.0	10	2.0	10	30°	625	24
9130	Green	50.0	10	2.2	10	30°	565	24
9131	Yellow	80.0	10	2.1	10	30°	590	24
<b>SUPER ULTRA BRIGHT</b>								
9132	Red	1500.0	20	1.85	20	30°	660	29
9133	Green	250.0	20	2.2	20	30°	565	29

## How To Order



WILBRECHT  
ELECTRONICS, INC.

LED  
DIVISION