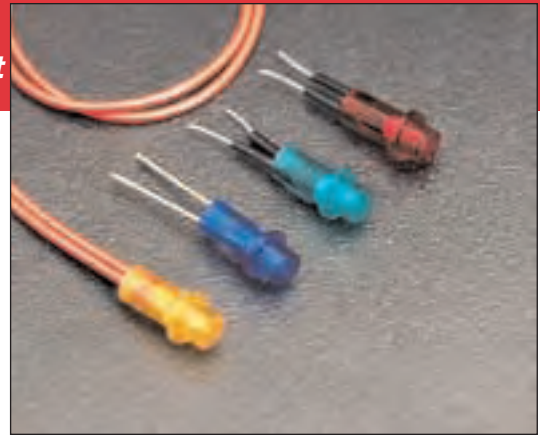


# 400/300 Series Incandescent and Neon Panel Mount Indicators - RoHS Compliant



Panel Mount Incandescent/Neon Indicators

## Special Features

- Ultra-miniature size
- Explosion proof incandescent—meets requirements of MIL-E-5400
- One-piece body and lens construction—available in red, green, amber, clear, blue, yellow and white transparent or translucent butyrate plastic
- Front mounting ribbed body “snaps into” panel—no mounting hardware required
- Available in smooth body for thinner panel—mounts with non-corrosive tinnerman speed nut (furnished)
- Optically engineered lens provides full 180° visibility
- Sealed against moisture and dust—water resistant

## Specifications

- Mounting Hole: .187" (4.75)
- Termination: 26 AWG 1/2" (nominal) solid insulated wire leads, 28 AWG 8" stranded insulated leads or bi-pins (other leads lengths available on request)
- Hot stamping legends available: Two 6 pt. (5/64") or one 8 pt. (3/32") characters in black or white

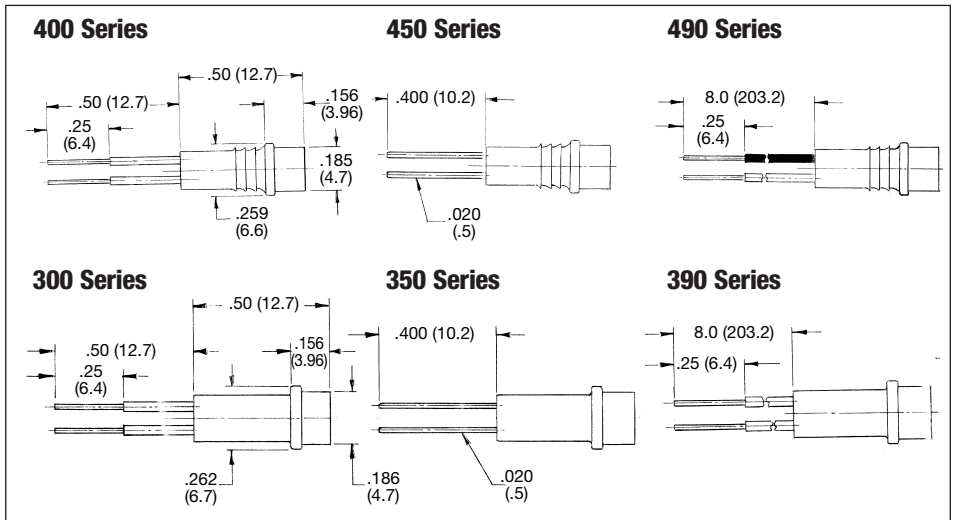
## Lens Color Code

- |                       |                                    |
|-----------------------|------------------------------------|
| 1. Transparent Amber  | 6. Translucent Yellow <sup>+</sup> |
| 2. Transparent Red    | 7. Translucent Red <sup>+</sup>    |
| 3. Transparent Blue*  | 8. Translucent Blue**              |
| 4. Transparent Green* | 9. Translucent Green**             |
| 5. Transparent Clear  | 10. Translucent White <sup>+</sup> |

Note: \* Blue and green lenses not recommended for use with neon bulbs.

+ Translucent lenses not recommended for use with neon bulbs and LEDs.

## Package Dimensions



All Dimensions are in inches (mm)

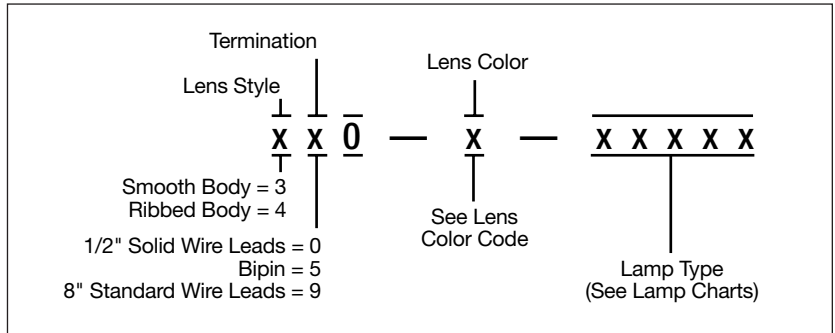
## Neon Lamps

Lamp Type	Circuit Voltage	Starting V Maximum		Current mA	Series Resistor		Life Hours (Average)
		AC	DC		115V	220V	
N513	90-115/220	65	90	.3	150KΩ	360KΩ	15,000
N517	90-115/220	95	135	1.0	47KΩ	120KΩ	15,000

## Incandescent Lamps

Operating Lamp Type	Voltage	Amps	MSCP (Nominal)	Life Hours (Average)
HM605	5.0	.021	.034	10,000
HM609	5.0	.115	.150	40,000
HM619	5.0	.060	.030	100,000
HM628	12.0	.060	.150	16,000
HM630	14.0	.065	.150	16,000
HM631	18.0	.026	.150	16,000
HM642	28.0	.024	.150	16,000

## How To Order



WILBRECHT  
ELECTRONICS, INC.

LED  
CO  
DIVISION