

CS Series T1 Panel Mount Reflector LED

Special Features

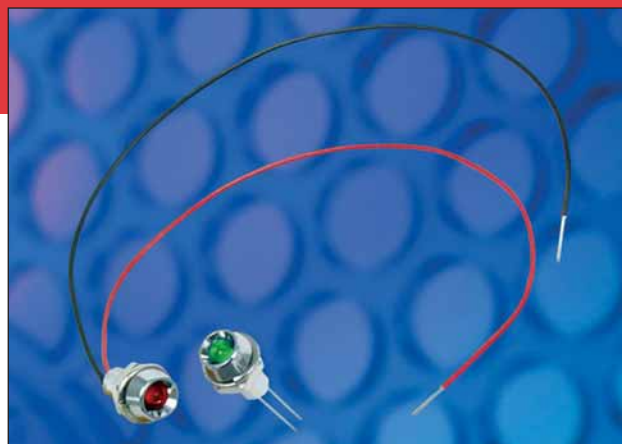
- Sealed against moisture and dust—watertight O-ring option
- Optional internal resistor for 5V-60VDC and 120VAC
- Daylight visible LEDs
- Custom wire lengths, colors, and gauges available
- Wide variety of LEDs—includes blinking LEDs
- Connectors available

Specifications

- Mounting hole: .230" (5.85)
- Termination: 24 AWG 6" red (anode) and black (cathode) leads stripped to 1/4" standard or LED pin
- Housing: Nickel-plated brass housing
- Hardware: Hexnut & spacer provided; O-ring provided on watertight option
- Maximum panel thickness: .090" (standard), .060" (watertight)

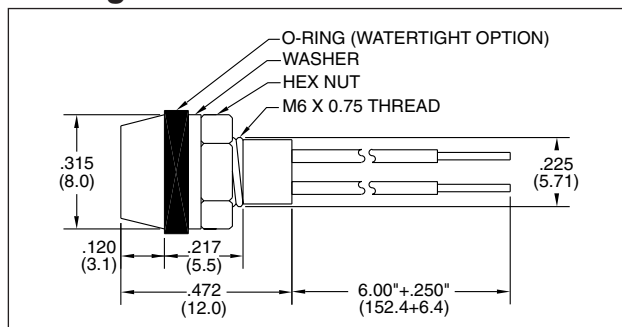
Electrical and Optical Characteristics (T_A=25°C)

LED Part#	Color	Luminous Intensity (mcd) Typ.@I _F (mA)	V _F Typ.@I _F (mA)	Viewing Angle 2θ 1/2	Peak Wavelength (nm)		
HIGH EFFICIENCY							
8708	Red	40.0	20	2.0	20	35°	635
8709	Green	40.0	20	2.2	20	35°	568
8710	Yellow	30.0	20	2.1	20	35°	585
LOW CURRENT (Use-0001 for resistor code)							
8702	Red	6.0	2	1.8	2	40°	635
8703	Green	8.0	2	1.8	2	40°	568
8704	Yellow	4.0	2	1.9	2	40°	585
BICOLOR							
8700	Red	30.0	20	2.0	20	45°	635
	Green	30.0	20	2.2	20		568
8701	Yellow	15.0	20	2.1	20	45°	585
	Green	25.0	20	2.2	20		568
5V INTERNAL RESISTOR (Use-0000 for resistor code)							
2804	Red	149.0	13	5.0	13	60°	660
2800	Green	74.0	11.5	5.0	11.5	60°	574
2802	Yellow	199.0	11.5	5.0	11.5	60°	590
12V INTERNAL RESISTOR (Use-0000 for resistor code)							
2805	Red	89.0	8.5	12.0	8.5	60°	660
2801	Green	44.0	8.5	12.0	8.5	60°	574
2803	Yellow	179.0	8.5	12.0	8.5	60°	590
ULTRA BRIGHT - DAYLIGHT READABLE							
2702	Red	299.0	20	1.85	20	60°	660
2700	Green	199.0	20	2.1	20	60°	574
2701	Yellow	219.0	20	2.0	20	60°	590
BLUE							
8711	Blue	300.0	20	3.6	20	30°	470
WHITE							
8712	White	250.0	20	3.6	20	30°	N/A



3mm Panel Mount LED Assemblies

Package Dimensions



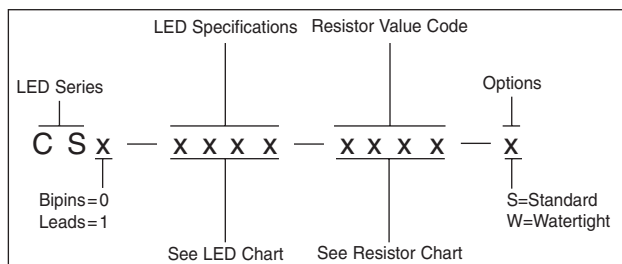
All Dimensions are in inches (mm)

Resistor Chart

OPERATING SPECIFICATIONS				
Resistor Value Code	Voltage	Current (mA)	Resistor Value (Ohms) Green, Yellow, Red, Bicolor LED	Resistor Value (Ohms) Blue, White LED
9900	5	10	332	None
9901	12	10	1000	
9902	12	10		715
9903	24	10	2210	
9904	24	10		1910
9905	28	10	2610	
9906	28	10		2320
9907	5	20	150	None
9908	12	20	511	
9909	12	20		357
9910	24	20	1100	
9911	24	20		953
9912	48	9	4870	
9913	48	9		4530
9914	60	7	8250	
9915	60	7		7500
9916	120VAC	3.5	34000	Not Available

Note: Bi-Color and Tri-Color not available in AC Voltages.
.47KµF, 250 milliwatt capacitor in series recommended for 120VAC

How To Order



**WILBRECHT
ELECTRONICS, INC.**

1400 Energy Park Drive, Suite 18 • St. Paul, MN 55108-5248 • (651) 659-0919 • Toll free (888) 323-8751 • FAX (651) 659-9204 • www.wilbrecht.com

**LED
DIVISION**