

L60/L61 T1 3/4 — RoHS Compliant Rear Mount LED Indicator

Special Features

- Rear mounting, friction-fit—no mounting hardware required
- Simplified one-piece construction
- Optional internal resistor—can be customized for AC applications
- Sealed against moisture and dust—water resistant
- Available for panel thickness .062", .125" and .187"
- Custom body lengths available without tooling charges

Specifications

- Mounting hole: .250" (6.35)
- Termination: 22 AWG 6" gray (anode) and black (cathode) leads stripped to 1/4" standard; Optional bi-pin available
- Body material: Black butyrate plastic
- Custom lead lengths and colors available

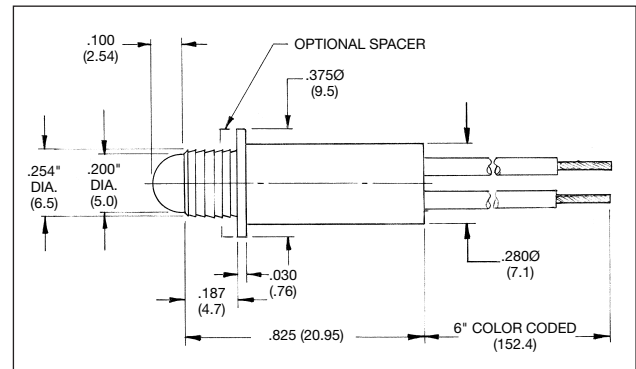
Electrical and Optical Characteristics (T_A=25°C)

| LED Part# | Color | Luminous Intensity (mcd) Typ.@I _F (mA) | | V _F Typ.@I _F (mA) | | Viewing Angle 2θ 1/2 | Peak Wavelength (nm) | More LED Data Page# |
|---|--------|--|----|---|----|-------------------------|-------------------------|------------------------|
| HIGH EFFICIENCY | | | | | | | | |
| 3008 | Red | 7.0 | 10 | 1.9 | 10 | 60° | 635 | 24 |
| 3019 | Green | 14.0 | 10 | 2.1 | 10 | 60° | 565 | 24 |
| 3020 | Yellow | 8.0 | 10 | 2.0 | 10 | 60° | 583 | 24 |
| 3022 | Orange | 7.0 | 10 | 1.9 | 10 | 60° | 600 | 24 |
| LOW CURRENT | | | | | | | | |
| 3015 | Red | 2.3 | 2 | 1.8 | 2 | 50° | 635 | 25 |
| 3016 | Yellow | 2.1 | 2 | 1.9 | 2 | 50° | 583 | 25 |
| 3017 | Green | 2.3 | 2 | 1.8 | 2 | 50° | 565 | 25 |
| BLUE | | | | | | | | |
| 3044 | Blue | 40.0 | 20 | 4.5 | 20 | 60° | 430 | 30 |
| 3045 | Blue | 90.0 | 20 | 4.5 | 20 | 16° | 430 | 30 |
| BICOLOR | | | | | | | | |
| 9001 | Red | 30.0 | 20 | 2.0 | 20 | 60° | 625 | 27 |
| | Green | 25.0 | 20 | 2.2 | 20 | | 565 | |
| 9002 | Yellow | 15.0 | 20 | 2.1 | 20 | 60° | 590 | 27 |
| | Green | 25.0 | 20 | 2.2 | 20 | | 565 | |
| ULTRA BRIGHT - DAYLIGHT READABLE | | | | | | | | |
| 3056 | Red | 500.0 | 20 | 1.9 | 20 | 60° | 660 | 24 |
| 3055 | Yellow | 500.0 | 20 | 2.1 | 20 | 60° | 595 | 24 |
| 3054 | Green | 300.0 | 20 | 3.5 | 20 | 60° | 525 | 24 |
| SUPER ULTRA BRIGHT | | | | | | | | |
| 3036 | Red | 2500.0 | 20 | 1.85 | 20 | 30° | 660 | 29 |
| 3046 | Red | 900.0 | 20 | 1.9 | 20 | 30° | 635 | 29 |
| 3047 | Green | 1750.0 | 20 | 3.5 | 20 | 30° | 524 | 29 |
| 3048 | Amber | 1300.00 | 20 | 2.02 | 20 | 30° | 592 | 29 |
| WHITE | | | | | | | | |
| 3058 | White | 1198.0 | 20 | 3.65 | 20 | 30° | N/A | 30 |



5mm Panel Mount LED Assemblies

Package Dimensions



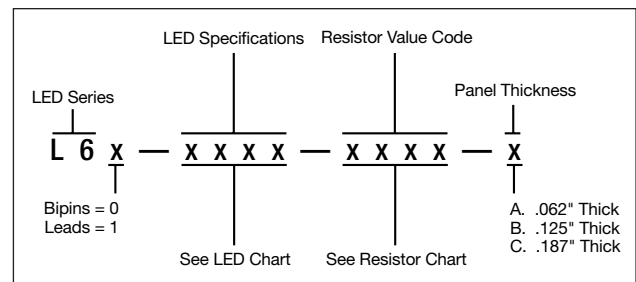
All Dimensions are in inches (mm)

Resistor Chart

| OPERATING SPECIFICATIONS | | | |
|--------------------------|---------|--------------|--------------------------|
| Resistor Value Code | Voltage | Current (mA) | Internal Resistor (Ohms) |
| 0000 | 2 | 10 or 20 | None |
| 0001 | 2 | 2 | None |
| 0330 | 5 | 10 | 330 |
| 0390 | 6 | 10 | 390 |
| 0820 | 10 | 10 | 820 |
| 1000 | 12 | 10 | 1000 |
| 1300 | 15 | 10 | 1300 |
| 5100 | 28 | 5 | 5100 |
| 2700 | 28 | 10 | 2700 |
| 0150 | 5 | 20 | 150 |
| 0200 | 6 | 20 | 200 |
| 0430 | 10 | 20 | 430 |
| 0510 | 12 | 20 | 510 |
| 0680 | 15 | 20 | 680 |

Note: Other resistor values for different current requirements are available on request.

How To Order



WILBRECHT
ELECTRONICS, INC.

1400 Energy Park Drive, Suite 18 • St. Paul, MN 55108-5248 • (651) 659-0919 • Toll free (888) 323-8751 • FAX (651) 659-9204 • www.wilbrecht.com

LED
DIVISION