

# CD Series T1 — RoHS Compliant Panel Mount Reflector LED

## Special Features

- Sealed against moisture and dust—watertight O-ring option
- Optional internal resistor for 5V-60VDC and 120VAC
- Daylight visible LEDs
- Custom wire lengths, colors, and gauges available
- Wide variety of LEDs—includes blinking LEDs
- Connectors available

## Specifications

- Mounting hole: .230" (5.85)
- Termination: 24 AWG 6" red (anode) and black (cathode) leads stripped to 1/4" standard or LED pin
- Housing: Nickel-plated brass housing
- Hardware: Hexnut & spacer provided; O-ring provided on watertight option
- Maximum panel thickness: .090" (standard), .060" (watertight)

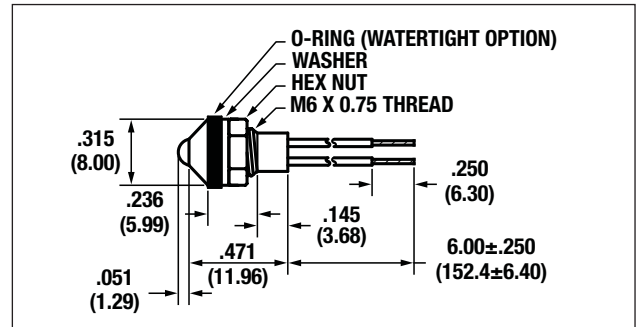
## Electrical and Optical Characteristics (T<sub>A</sub> = 25°C)

LED Part#	Color	Luminous Intensity (mcd) Typ.@I <sub>F</sub> (mA)	V <sub>F</sub> Typ.@I <sub>F</sub> (mA)	Viewing Angle 2θ <sub>1/2</sub>	Peak Wavelength (nm)		
<b>HIGH EFFICIENCY</b>							
8708	Red	40.0	20	2.0	20	35°	635
8709	Green	40.0	20	2.2	20	35°	568
8710	Yellow	30.0	20	2.1	20	35°	585
<b>LOW CURRENT</b> (Use-0001 for resistor code)							
8702	Red	6.0	2	1.8	2	40°	635
8703	Green	8.0	2	1.8	2	40°	568
8704	Yellow	4.0	2	1.9	2	40°	585
<b>BICOLOR</b>							
8700	Red	30.0	20	2.0	20	45°	635
	Green	30.0	20	2.2	20		568
8701	Yellow	15.0	20	2.1	20	45°	585
	Green	25.0	20	2.2	20		568
<b>5V INTERNAL RESISTOR</b> (Use-0000 for resistor code)							
2804	Red	149.0	13	5.0	13	60°	660
2800	Green	74.0	11.5	5.0	11.5	60°	574
2802	Yellow	199.0	11.5	5.0	11.5	60°	590
<b>12V INTERNAL RESISTOR</b> (Use-0000 for resistor code)							
2805	Red	89.0	8.5	12.0	8.5	60°	660
2801	Green	44.0	8.5	12.0	8.5	60°	574
2803	Yellow	179.0	8.5	12.0	8.5	60°	590
<b>ULTRA BRIGHT - DAYLIGHT READABLE</b>							
2702	Red	299.0	20	1.85	20	60°	660
2700	Green	199.0	20	2.1	20	60°	574
2701	Yellow	219.0	20	2.0	20	60°	590
<b>BLUE</b>							
8711	Blue	300.0	20	3.6	20	30°	470
<b>WHITE</b>							
8712	White	250.0	20	3.6	20	30°	N/A



3mm Panel Mount LED Assemblies

## Package Dimensions



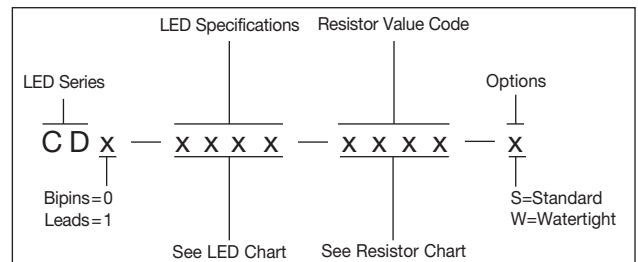
All Dimensions are in inches (mm)

## Resistor Chart

OPERATING SPECIFICATIONS				
Resistor Value Code	Voltage	Current (mA)	Resistor Value (Ohms) Green, Yellow, Red, Bicolor LED	Resistor Value (Ohms) Blue, White LED
9900	5	10	332	None
9901	12	10	1000	
9902	12	10		715
9903	24	10	2210	
9904	24	10		1910
9905	28	10	2610	
9906	28	10		2320
9907	5	20	150	None
9908	12	20	511	
9909	12	20		357
9910	24	20	1100	
9911	24	20		953
9912	48	9	4870	
9913	48	9		4530
9914	60	7	8250	
9915	60	7		7500
9916	120VAC	3.5	34000	Not Available

Note: Bi-Color and Tri-Color not available in AC Voltages.

## How To Order



**WILBRECHT ELECTRONICS, INC.**

1400 Energy Park Drive, Suite 18 • St. Paul, MN 55108-5248 • (651) 659-0919 • Toll free (888) 323-8751 • FAX (651) 659-9204 • www.wilbrecht.com

**LED CO DIVISION**