

CC Series T1 3/4 — RoHS Compliant Panel Mount Reflector LED

Special Features

- Sealed against moisture and dust—watertight O-ring option
- Optional internal resistor for 5V-60VDC and 120VAC
- Daylight visible LEDs
- Custom wire lengths, colors, and gauges available
- Wide variety of LEDs—includes blinking LEDs
- Connectors available

Specifications

- Mounting hole: .312" (7.94)
- Termination: 24 AWG 6" red (anode) and black (cathode) leads stripped to 1/4" standard or LED pin
- Housing: Nickel-plated brass housing
- Hardware: Hexnut & spacer provided; O-ring provided on watertight option
- Maximum panel thickness: .100" (standard), .070" (watertight)

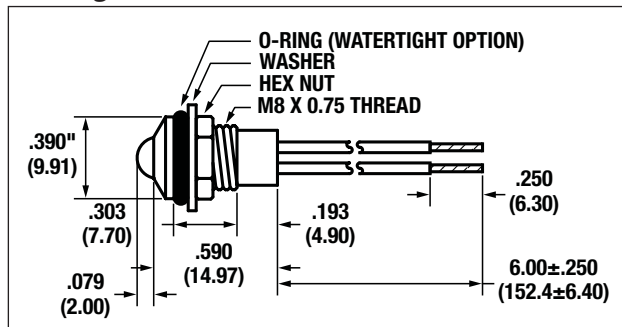
Electrical and Optical Characteristics (T_A = 25°C)

LED Part#	Color	Luminous Intensity (mcd) Typ.@I _F (mA)	V _F Typ.@I _F (mA)	Viewing Angle 2θ _{1/2}	Peak Wavelength (nm)		
HIGH EFFICIENCY							
3008	Red	7.0	10	1.9	10	60°	635
3019	Green	14.0	10	2.1	10	60°	565
3020	Yellow	8.0	10	2.0	10	60°	583
3022	Orange	7.0	10	1.9	10	60°	600
LOW CURRENT							
3015	Red	2.3	2	1.8	2	50°	635
3016	Yellow	2.1	2	1.9	2	50°	583
3017	Green	2.3	2	1.8	2	50°	565
BLUE							
3044	Blue	40.0	20	4.5	20	60°	430
3045	Blue	90.0	20	4.5	20	16°	430
BICOLOR							
9001	Red	30.0	20	2.0	20	16°	625
	Green	25.0	20	2.2	20		565
9002	Yellow	15.0	20	2.1	20	16°	590
	Green	25.0	20	2.2	20		565
ULTRA BRIGHT - DAYLIGHT READABLE							
3056	Red	500.0	20	1.9	20	60°	660
3055	Yellow	500.0	20	2.1	20	60°	595
3054	Green	300.0	20	3.5	20	60°	525
SUPER ULTRA BRIGHT							
3036	Red	2500.0	20	1.85	20	30°	660
3046	Red	900.0	20	1.9	20	30°	635
3047	Green	1750.0	20	3.5	20	30°	524
3048	Amber	1300.0	20	2.02	20	30°	592
WHITE							
3058	White	1198.0	20	3.65	20	30°	N/A



5mm Panel Mount LED Assemblies

Package Dimensions



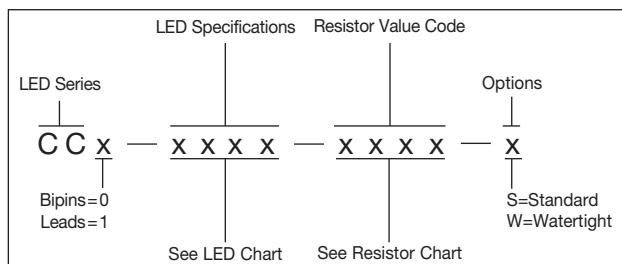
All Dimensions are in inches (mm)

Resistor Chart

OPERATING SPECIFICATIONS				
Resistor Value Code	Voltage	Current (mA)	Resistor Value (Ohms) Green, Yellow, Red, Bicolor LED	Resistor Value (Ohms) Blue, White LED
9900	5	10	332	None
9901	12	10	1000	
9902	12	10		715
9903	24	10	2210	
9904	24	10		1910
9905	28	10	2610	
9906	28	10		2320
9907	5	20	150	None
9908	12	20	511	
9909	12	20		357
9910	24	20	1100	
9911	24	20		953
9912	48	9	4870	
9913	48	9		4530
9914	60	7	8250	
9915	60	7		7500
9916	120VAC	3.5	34000	Not Available

Note: Bi-Color and Tri-Color not available in AC Voltages.

How To Order



**WILBRECHT
ELECTRONICS, INC.**

1400 Energy Park Drive, Suite 18 • St. Paul, MN 55108-5248 • (651) 659-0919 • Toll free (888) 323-8751 • FAX (651) 659-9204 • www.wilbrecht.com

**LED
DIVISION**